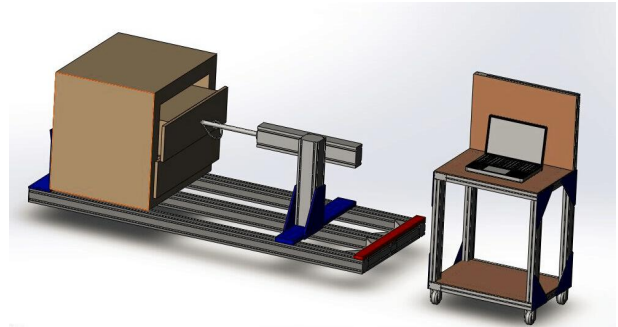
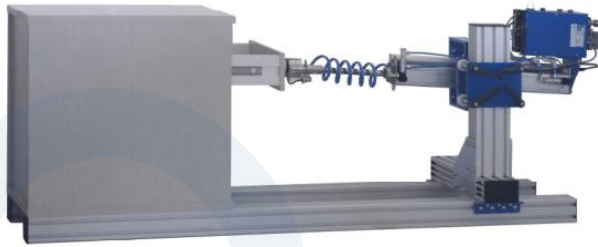


Product Presentation



Application

- ✧ This machine is designed to test drawers, desks, cabinets and wardrobe.
- ✧ Capable of cycling time control, constant travel control, frequency control, test force display.
- ✧ The control systems feature advanced POD display which shows either force, testing time, cycling or break value. In theory, on the 6kg pressure can be reach to 120kgf force.
- ✧ All the functions are made by simple key operation for easy set up.

Standards

EN 1728 NEN 1812 BIFMA X5.1

Key Specification

Model	GT-LD01A
Max. Stroke	600mm
Testing height	24cm~108cm
Speed	0.25m/s
Control method	PLC control
Dimensions	134x60x124cm
Weight	80kg